



forest dental

affordable excellence + designer friendly

introducing

POLARIS®



THE NEW FRONTIER OF DENTAL ILLUMINATION **LED** TECHNOLOGY

Adjustable colour temperature from 4,200K to 6,000K

Choose a colour temperature to suit specific procedures and personal preferences

Adjustable luminance from 8,000 to 35,000 lux

Improves visual accuracy and reduces eye strain

Cool light

LED lighting generates minimal heat, enhancing patient comfort and avoiding damage to sensitive tissues - no cooling fan is required

Energy efficient

LED lighting saves power and the environment, consuming 85% less energy than halogen lighting

Homogeneous light

The geometry of the Polaris reflector system provides clean, even light without distracting shadows

Long lifetime

LED lights have a lifetime of about 50,000 hours - halogens have a lifetime of only 2,000 hours

3D positioning

3 axes of movement allow the light to be focused where it is needed - the light head can be positioned over the dentist's or assistant's shoulder, freeing up space over the patient

Five mounting options

Can be mounted on wall, ceiling, cabinet, post or track

Ergonomics and Italian design

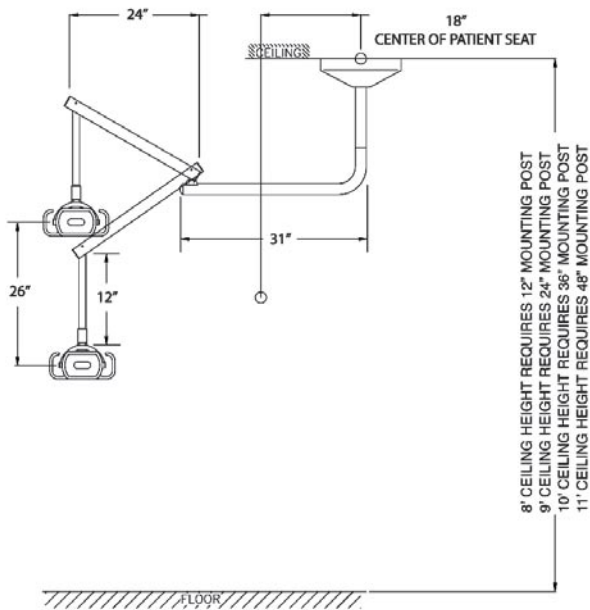
The advanced design of the Polaris is characterised by simple and smooth lines and soft colours. The Polaris is made from rugged powder-coated aluminium, providing a union of functionality and aesthetics.

- Autoclavable handles
- Constant colour temperature over full range of intensity
- Optional bleaching light, anti-polymerisation filter, mirror
- 7 year warranty on optics plus 5 year warranty on parts
- Can be fitted to existing setup

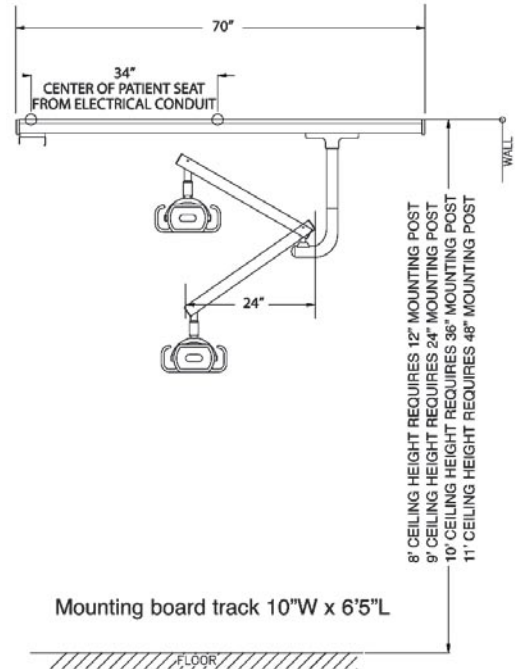
To talk to one of Forest's specialists, call Chris Allen on **0405 813 027** or **(02) 4787 1455**

The POLARIS[®] can be mounted on

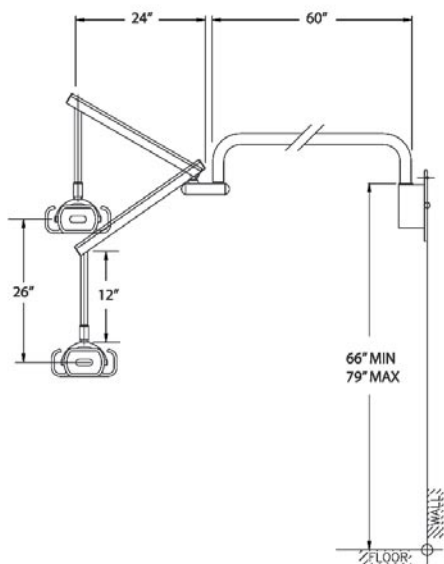
CEILING



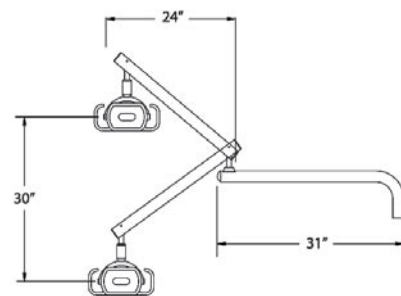
TRACK



WALL or CABINET



POST



and can be fitted to any existing Forest installation